



### Features:

- Adopt R22 refrigerant
- Cooling capacity from 5000Btu/h upto 24000Btu/h
- 110V/60Hz, 110V/60Hz, 220-240/50Hz, 115V/60Hz are available

### Nomenclature

**HC V R - 16 E 2 F N 2**

**HC**  : R22 series     **F** : R407C series

**V**  : Vertical     **H** : Horizontal

**R** : Rotary Compressor

Volume of Cylinder:  **13, 15, 16, 19, 21, 25, 27, 29, 32**

Power Supply:     **S** : 200V/50Hz     **T** : 110V/60Hz  
                           **E** : 220V/50Hz     **M** : 380V/50Hz, 3pase  
                           **Y** : 110V/60Hz

Dimension of Accumulator(mm):     **1** : 32mm;     **4** : 76mm;  
     **2** : 55mm;     **5** : 80mm;  
     **3** : 65mm;     **6** : 40mm;

Dimension of Mounting Plate(mm):     **F** : Mounting Plate:  $\varnothing$  150mm, Inner Diameter:  $\varnothing$  20mm.  
     **D** : Mounting Plate:  $\varnothing$  176mm, Inner Diameter:  $\varnothing$  20mm.

Install Angel of Accumulator:     **T** : 30°  
     **S** : 60°  
     **N** : 90°

Release Variet

## Performance Parameters

220V/50Hz, 220-240V/50Hz, R22								
Model No.	Rated Working Voltage	Cylinder Volume (cm <sup>3</sup> )	Nominal Capacity			Input Power (W)	Working Current (A)	Running Capacitor (uF/450V)
			Watt	Kal/h	Btu/h			
HCVR-9E 2FN1	220V/50Hz	9.0	1460	1256	4964	510	2.5	20
HCVR-10E 2FN1	220V/50Hz	10.1	1680	1445	5712	600	3.2	20
HCVR-13E 2FN1	220V/50Hz	13.5	2120	1823	7208	730	3.5	25
HCVR-15E 2FN1	220V/50Hz	14.8	2460	2116	8364	830	4.0	25
HCVR-16E 2FN2	220V/50Hz	16.4	2730	2348	9282	915	4.2	25
HCVR-19E 4DN1	220V/50Hz	19.3	3210	2761	10914	1100	5.1	30
HCVR-21E 4DN3	220V/50Hz	21.3	3620	3113	12308	1210	5.6	30
HCVR-23E 4DN1	220V/50Hz	23.5	3920	3371	13328	1300	6.1	35
HCVR-25E 4DN2	220V/50Hz	25.4	4220	3629	14348	1410	6.6	35
HCVR-29E 4DN2	220V/50Hz	29.2	4860	4180	16524	1630	7.7	35
HCVR-32E 5DS1	220V/50Hz	32.1	5320	4575	18088	1780	8.5	40
HCVR-33E 5DS1	220V/50Hz	33.6	5640	4850	19176	1925	9.1	50
HCVR-36E 5DS1	220V/50Hz	35.7	6060	5212	20604	2060	9.8	50
HCVR-41E 6BT1	220V/50Hz	41.7	7060	6072	24004	2360	11.2	50
HCVR-44E 6BT1	220V/50Hz	44.2	7620	6553	25908	2540	12.0	50

**COMPRESSORS TESTING CONDITIONS :**  
 Testing power supply: 220-240V/50Hz  
 Evaporating temperature: 7.2°C  
 Condensing temperature: 54.4°C  
 Sub-cooling temperature: 46.1°C  
 Ambient temperature: 35°C  
 Suction temperature: 35°C

**220V/60Hz, R22**

Model No.	Rated Working Voltage	Cylinder Volume (cm <sup>3</sup> )	Nominal Capacity			Input Power (W)	Working Current (A)	Runing Capacitor (uF/450V)
			Watt	Kal/h	Btu/h			
HCVR-13Y 2FN2	220V/60Hz	13.5	2650	2297	9010	900	4.2	20
HCVR-15Y 2FN1	220V/60Hz	14.8	2820	2425	9588	950	4.5	20
HCVR-16Y 2FN1	220V/60Hz	16.4	3260	2804	11084	1100	5.1	20
HCVR-19Y 4DN2	220V/60Hz	19.3	3910	3363	13294	1300	6.0	25
HCVR-21Y 4DN2	220V/60Hz	21.3	4290	3689	14586	1440	6.7	30
HCVR-23Y 4DN2	220V/60Hz	23.5	4670	4016	15878	1570	7.3	30
HCVR-25Y 4DN2	220V/60Hz	25.4	5060	4352	17204	1720	8.2	30
HCVR-27Y 4DN2	220V/60Hz	26.5	5390	4635	18326	1820	8.5	35
HCVR-33Y 6DS1	220V/60Hz	33.6	6810	5857	23154	2320	10.6	45
HCVR-36Y 6DS1	220V/60Hz	35.7	7300	6287	24820	2500	11.5	50

**COMPRESSORS TESTING CONDITIONS :**

Testing power supply: 220V/60Hz  
 Evaporating temperature: 7.2°C  
 Condensing temperature: 54.4°C  
 Sub-cooling temperature: 46.1°C  
 Ambient temperature: 35°C  
 Suction temperature: 35°C

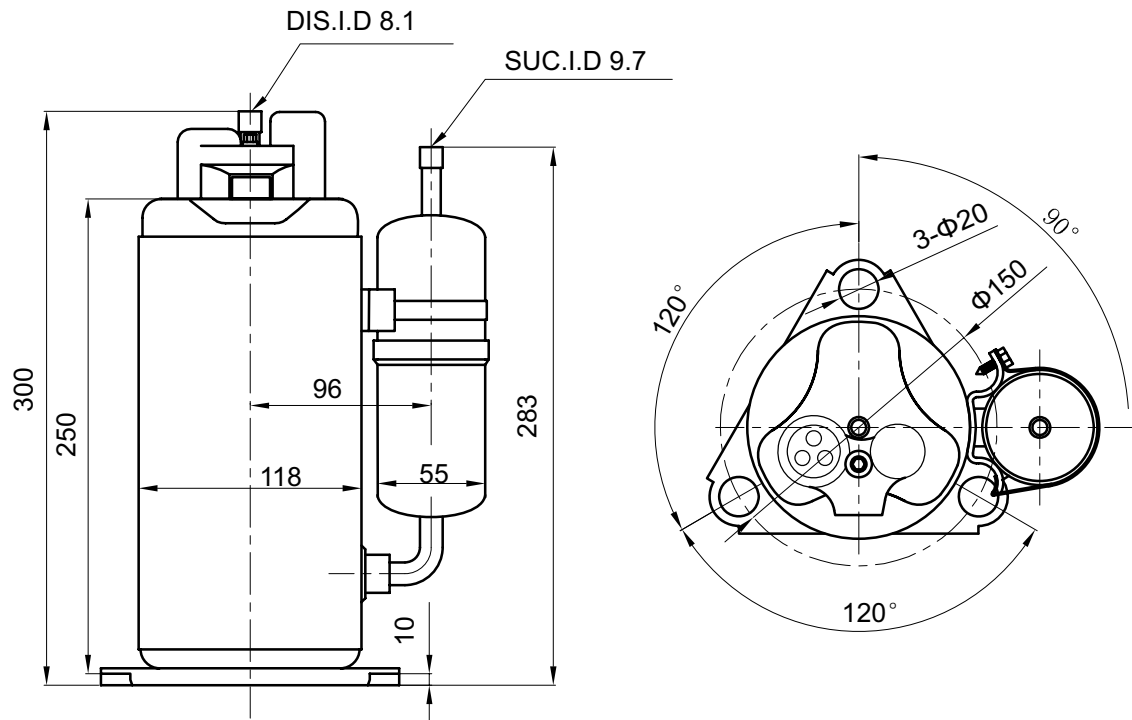
**110V/60Hz, R22**

Model No.	Rated Working Voltage	Cylinder Volume (cm <sup>3</sup> )	Nominal Capacity			Input Power (W)	Working Current (A)	Runing Capacitor (uF/450V)
			Watt	Kal/h	Btu/h			
HCVR-10T 2FN1	110V/60Hz	10.2	1900	1634	6460	640	6.5	60
HCVR-11T 2FN1	110V/60Hz	11.4	2280	1961	7752	743	6.8	50
HCVR-13T 2FN1	110V/60Hz	13.5	2650	2279	9010	850	7.8	50
HCVR-16T 2FN1	110V/60Hz	16.4	3260	2804	11084	1070	9.8	50

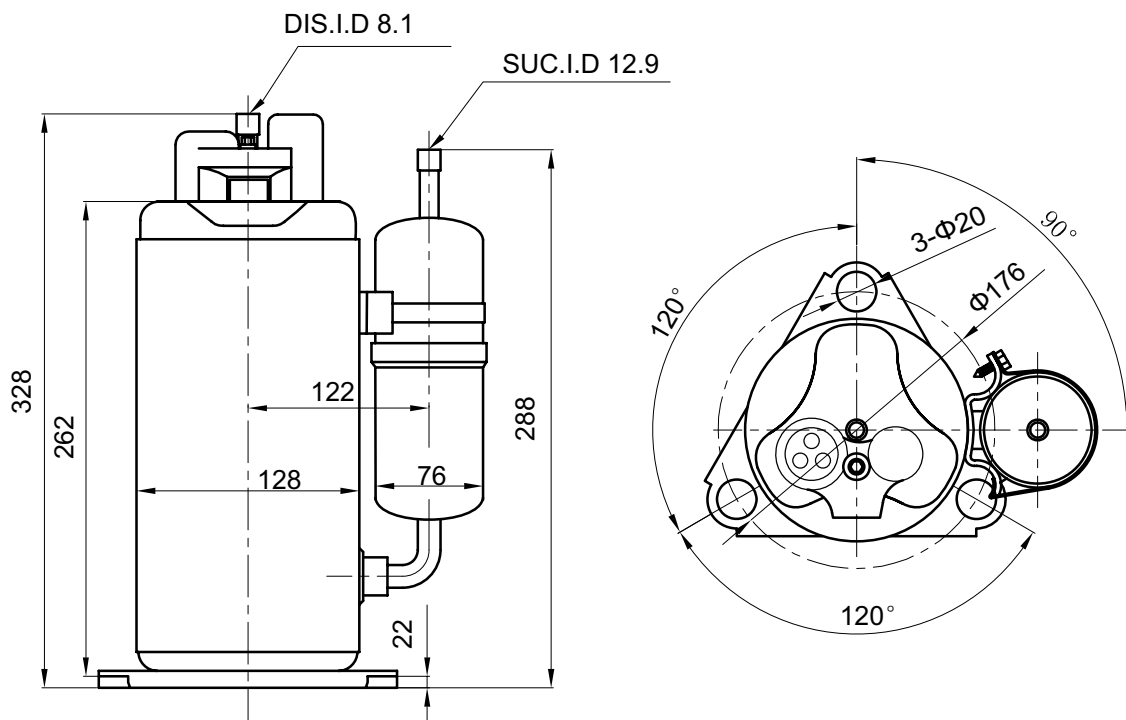
**COMPRESSORS TESTING CONDITIONS :**

Testing power supply: 110V/60Hz  
 Evaporating temperature: 7.2°C  
 Condensing temperature: 54.4°C  
 Sub-cooling temperature: 46.1°C  
 Ambient temperature: 35°C  
 Suction temperature: 35°C

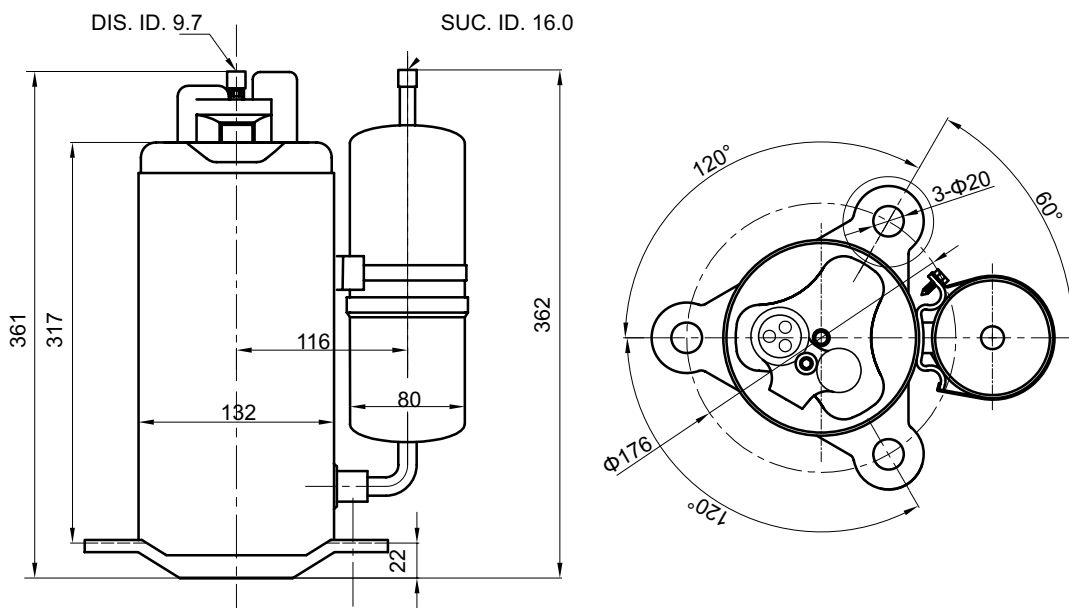
## Dimensions



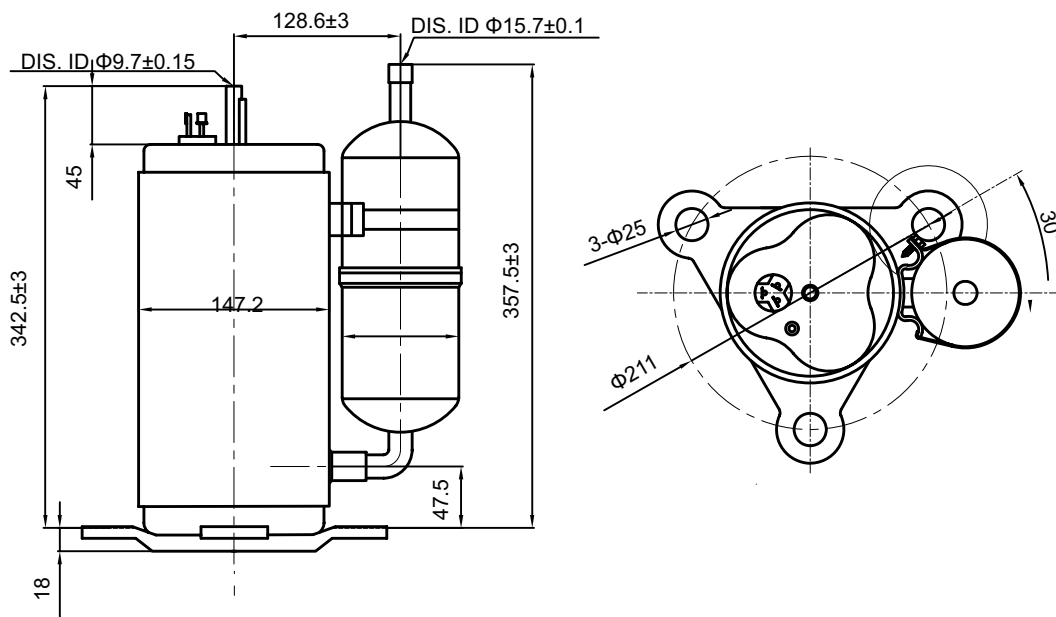
HCVR 9(X) ~ HCVR 19(X)



HCVR 21(X) ~ HCVR 29(X)

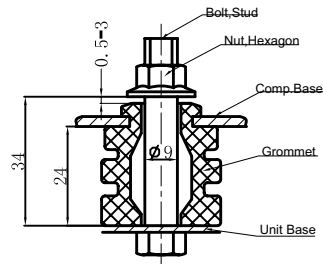


HCVR 32(X) ~ HCVR 36(X)

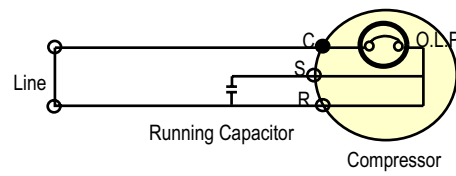


HCVR 41 (X)

## Mounting



## Wiring Diagram



※ C.S.R mark is embossed on a Cover Terminal