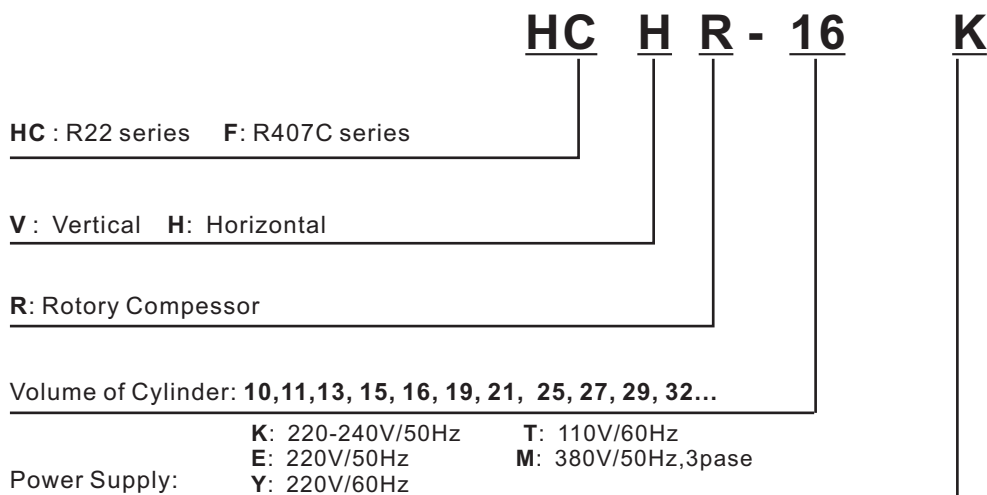


Technical Specification

Features

- Adept **R22** refrigerant
- 220~240V/50Hz power source
- Compact design, horizontal mounting type, complete unit in compact dimension.
- Widely application such as white goods, rv air conditioner

Nomenclature



Nameplate and service lable

AISLU
Rotary Compressor

WARNING
Service should be performed by trained personnel only

ELECTRIC SHOCK HAZARD
- Ground the equipment securely.
- Turn off the power before servicing.
- Securely retain terminal cover whenever power is applied to this compressor

GETTING BURNT
- Do not touch the compressor with bare hands during operation or after stoppage instantly.

EXPLOSION OR FIRE
- Wear safety goggles and gears. System contains oil and refrigerant under pressure.
- Do not compress air.
- Do not operate the compressor without charge in the system.

MODEL **HCHR-16K**

SERIAL **F055660VR26E0505**

CUSTOMER **FR3X00001**

220-240VAC/50Hz
2670W(9078Btu/H) 4.1A

R22

WENZHOU AISLU ELECTRIC CO.,LTD.
MADE IN CHINA

→ Compressor Model Number and barcode

→ Compressor batch production number, production time and barcode

→ Customer ID

→ Basic performance

→ Refrigerant

Technical Specification

Model list

MODEL	RATED POWER SUPPLY	CYLINDER VOLUME (cm ³)	NOMINAL CAPACITY			INPUT POWER(W)	WORK CURRENT (A)	RUN CAPACITOR (μF/450V)
			W	kal/h	Btu/h			
HCHR-10E	220V~50Hz	9.6	1550	1333	5270	530	2.45	15
HCHR-13E	220V~50Hz	13.5	2120	1823	7208	750	3.5	25
HCHR-16E	220V~50Hz	16.4	2730	2348	9282	950	4.5	25
HCHR-19E	220V~50Hz	20.8	3400	2924	11560	1210	5.6	30
HCHR-23E	220V~50Hz	23.5	3920	3371	13328	1360	6.3	35
HCHR-30E	220V~50Hz	30.7	5200	4472	17680	1800	8.6	50
HCHR-36E	220V~50Hz	35.7	6060	5212	20604	2090	9.8	50

Testing Condition:

Testing power supply:	230VAC/50Hz
Evaporating Temperature:	7.20°C
Condensing Temperature:	54.40°C
Sub-Cooling Temperature:	46.10°C
Ambient Temperature:	35°C
Suction Temperature:	35°C

Outline dimension

